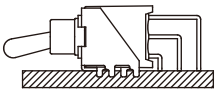
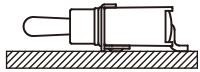
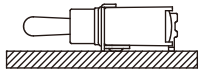


**SPECIFICATIONS:**

CONTACT RATING: Refer to "Contact Material Options" for more info.  
 ELECTRICAL LIFE: 30,000 make-and-break cycles at full load.  
 CONTACT RESISTANCE: 20mΩ max typ. initial@2-4 VDC  
 100mA for both silver and gold contacts.  
 INSULATION RESISTANCE: 1,000MΩ min.  
 DIELECTRIC STRENGTH: 1,500 V RMS.@ sea level.  
 OPERATING TEMPERATURE: -30°C to +85°C.

**MATERIALS:**

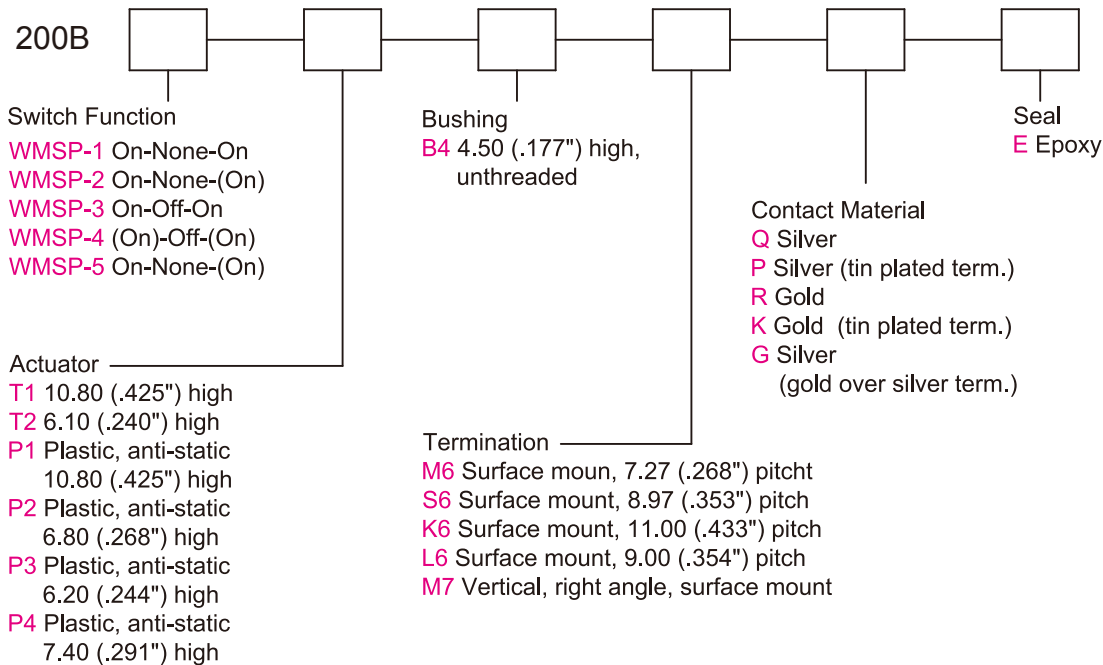
CASE & BUSHING: PA46 or FR52, flame retardant, heat stabilized(UL 94V-0).  
 ACTUATOR: Brass, chrome plated, internal o-ring sealed (std).  
 ESD TOGGLE: Nylon46+carbon fiber (ESD resistance 9000VDC)  
 SWITCH SUPPORT: Brass (or Phosphor bronze), tin plated.  
 TERMINAL SEAL: Epoxy.



Specifications and Dimensions subject to change

If your preferred product configuration is not shown, please contact our sales representative for custom design.

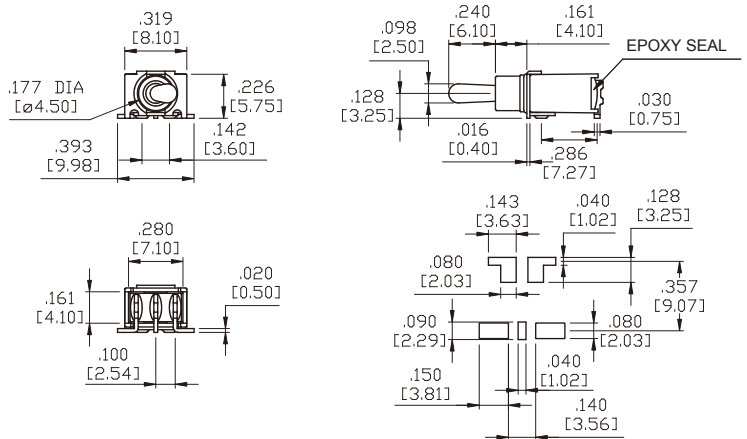
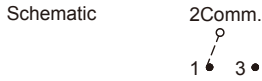
**HOW TO ORDER SYSTEM**



## M6



Model No.	Switching Position		
WMSP-1	ON	NONE	ON
WMSP-2	ON	NONE	(ON)
WMSP-3	ON	OFF	ON
WMSP-4	(ON)	OFF	(ON)
WMSP-5	ON	OFF	(ON)
Term. Comm.	2-3	OPEN	2-1

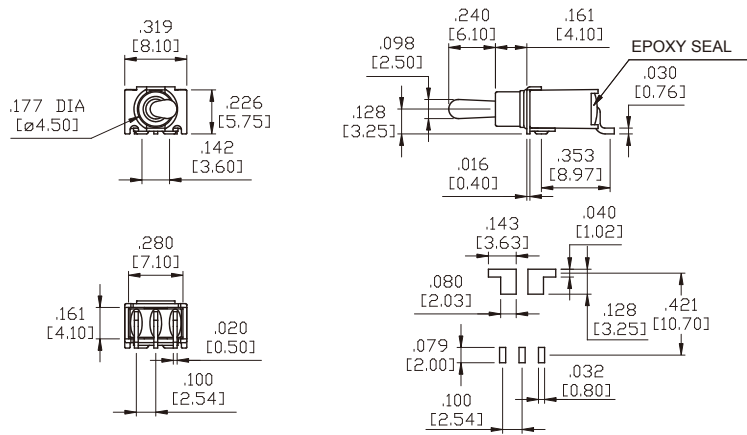
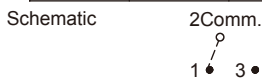


SPDT

## S6



Model No.	Switching Position		
WMSP-1	ON	NONE	ON
WMSP-2	ON	NONE	(ON)
WMSP-3	ON	OFF	ON
WMSP-4	(ON)	OFF	(ON)
WMSP-5	ON	OFF	(ON)
Term. Comm.	2-3	OPEN	2-1

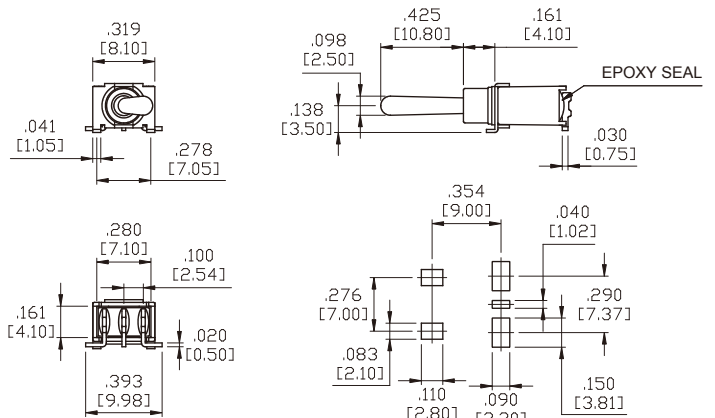
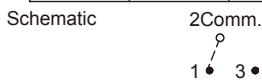


SPDT

## L6



Model No.	Switching Position		
WMSP-1	ON	NONE	ON
WMSP-2	ON	NONE	(ON)
WMSP-3	ON	OFF	ON
WMSP-4	(ON)	OFF	(ON)
WMSP-5	ON	OFF	(ON)
Term. Comm.	2-3	OPEN	2-1

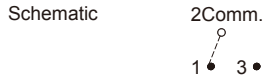


SPDT

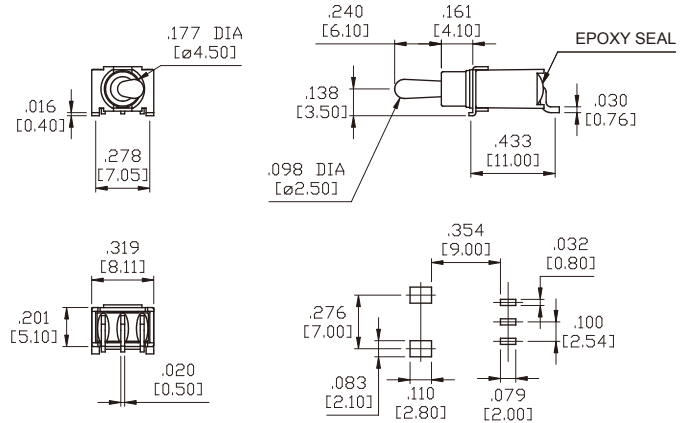
## K6



Model No.	Switching Position		
	ON	NONE	ON
WMSP-1	ON	NONE	ON
WMSP-2	ON	NONE	(ON)
WMSP-3	ON	OFF	ON
WMSP-4	(ON)	OFF	(ON)
WMSP-5	ON	OFF	(ON)
Term. Comm.	2-3	OPEN	2-1



SPDT



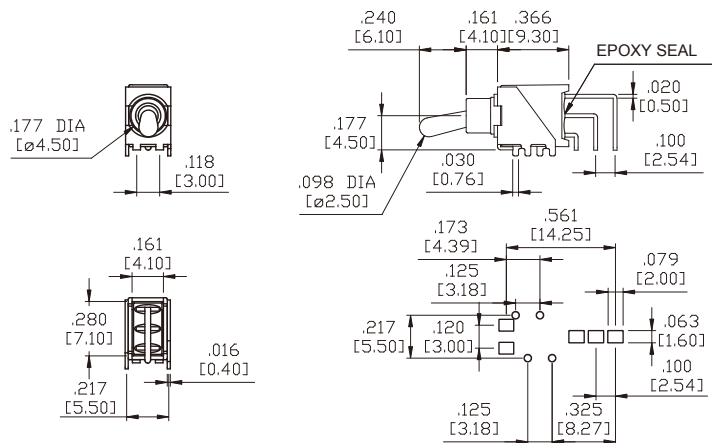
## M7



Model No.	Switching Position		
	ON	NONE	ON
WMSP-1	ON	NONE	ON
WMSP-2	ON	NONE	(ON)
WMSP-3	ON	OFF	ON
WMSP-4	(ON)	OFF	(ON)
WMSP-5	ON	OFF	(ON)
Term. Comm.	2-3	OPEN	2-1

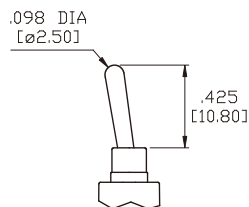


SPDT



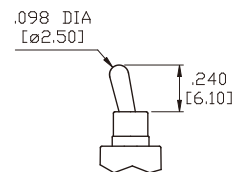
## ACTUATOR OPTIONS

### T1

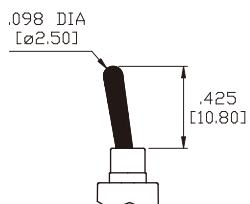


\* Available with L6, S6, K6, M7 terminals only.

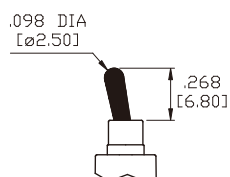
### T2



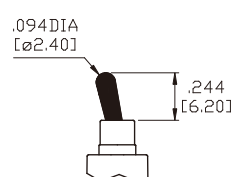
### P1 PLASTIC TOGGLE



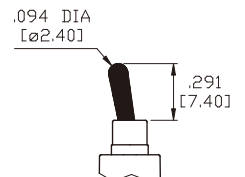
### P2 PLASTIC TOGGLE



### P3 PLASTIC TOGGLE

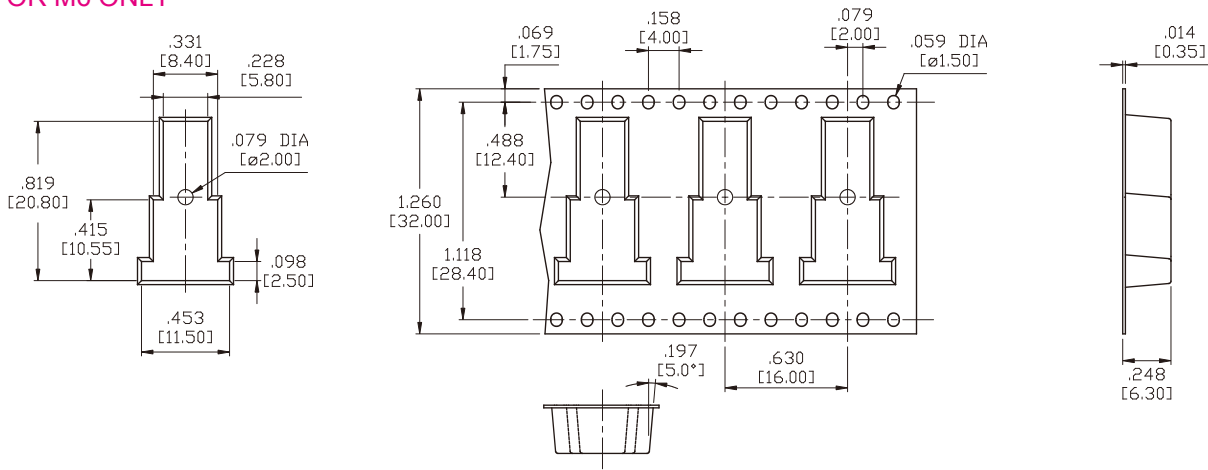


### P4 PLASTIC TOGGLE

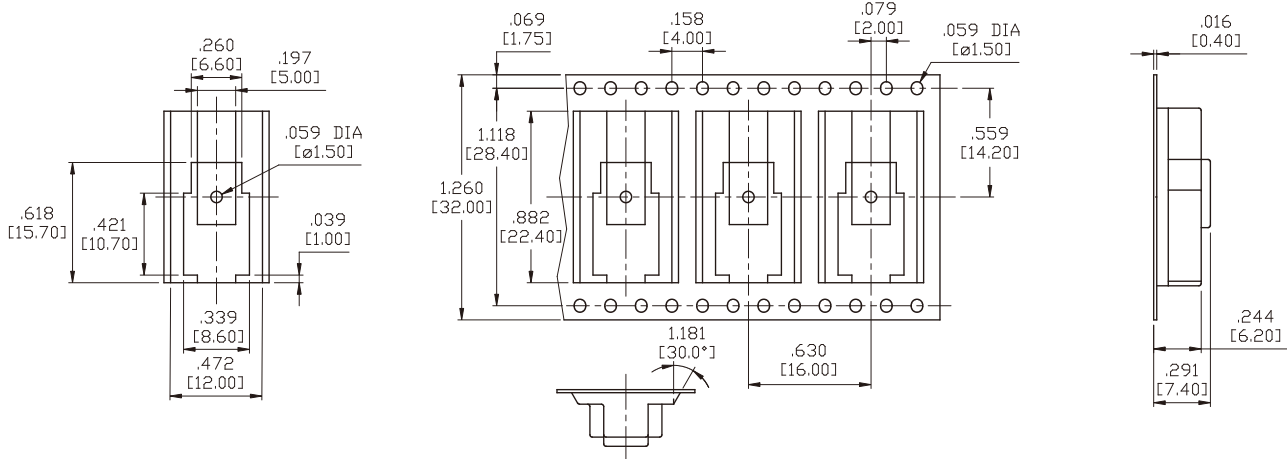


## REEL TAPING

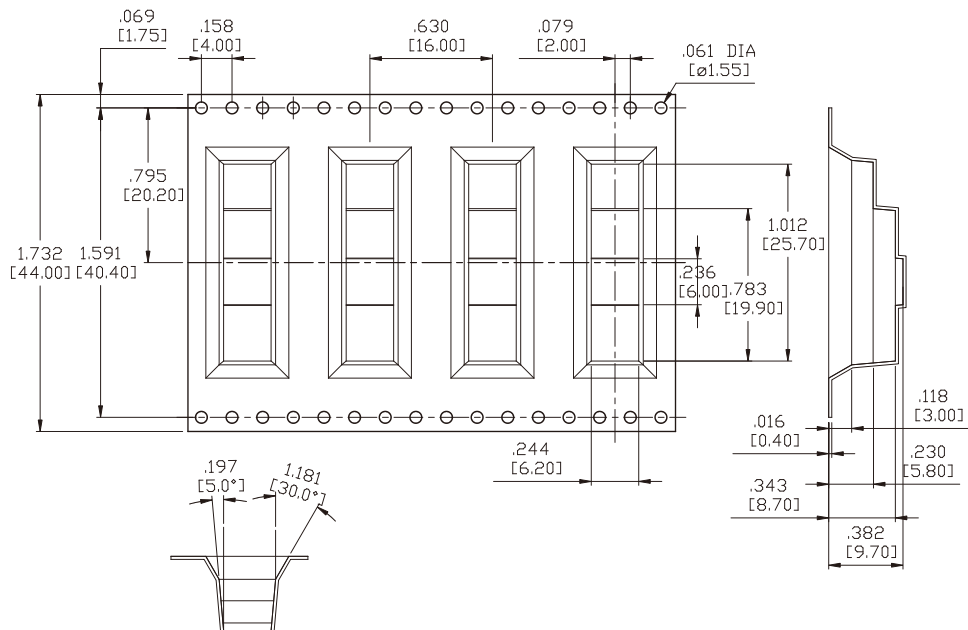
### FOR M6 ONLY



### FOR S6 & K6 ONLY

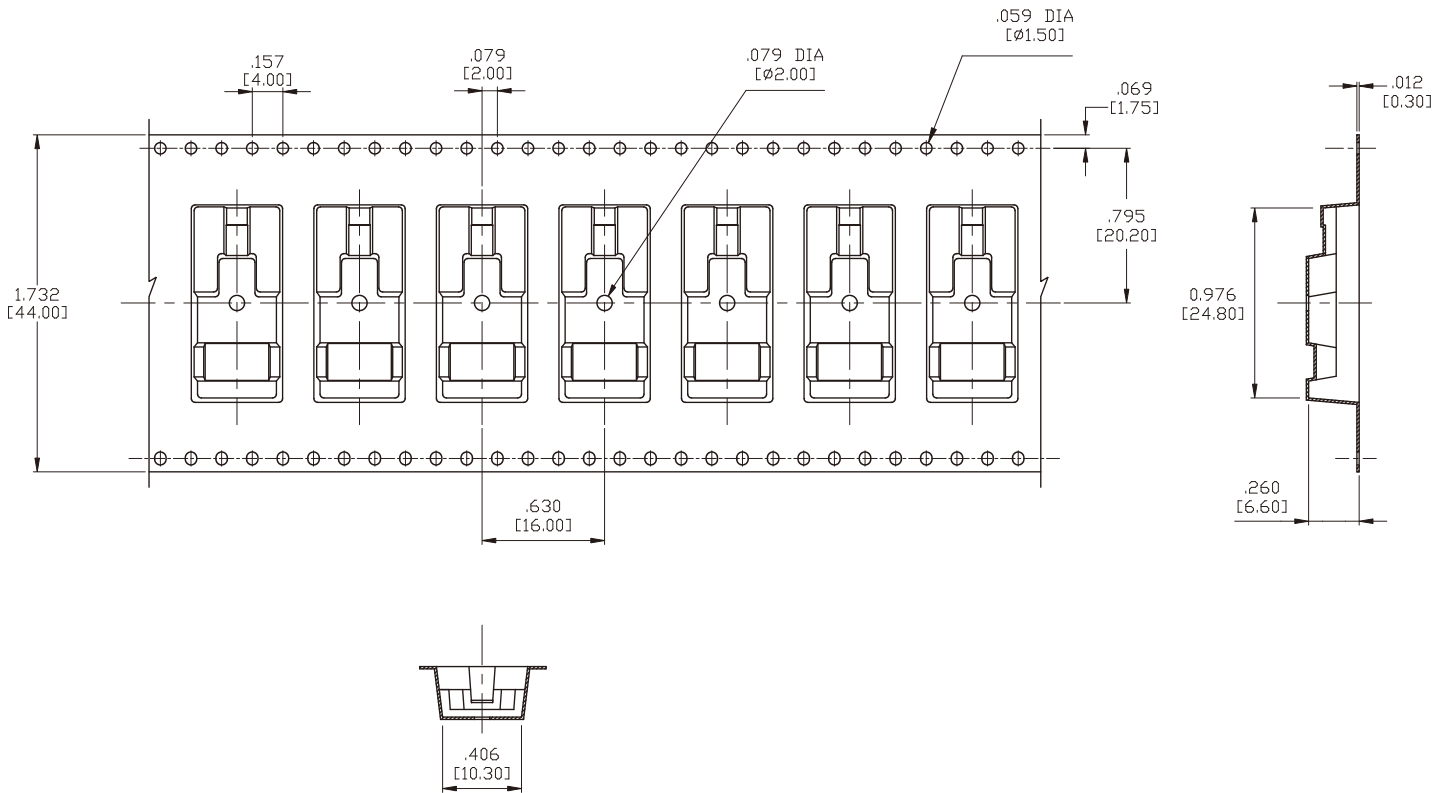


### FOR M7 ONLY



REEL TAPING

FOR L6 ONLY



REEL TAPING

REEL INFORMATION	
OUTSIDE DIAMETER	12.99 [330.00]
PILOT HOLE	.502 [13.00]
QUANTITY PER REEL	500 400 (M7 model)

CONTACT MATERIAL OPTIONS

Coding	Contact Material	Terminal Plating	Rating	Agency Approvals
Q	Silver <sup>1</sup>	Silver plated <sup>1</sup>	3Amps @ 125VAC or 28VDC 1.5Amps @ 250VAC	IP67
P		Tin plated <sup>5</sup> / <sub>7</sub>		
R	Gold <sup>2</sup>	Gold plated <sup>4</sup>	0.4VA max @ 20V max (AC or DC)	IP67
K		Tin plated <sup>5</sup> / <sub>6</sub>		
G	Silver <sup>1</sup>	Gold over silver <sup>3</sup>	3Amps @ 125VAC or 28VDC 1.5Amps @ 250VAC	IP67

1. Movable Contact / Terminals: Copper alloy, silver plated.
2. Movable Contact: Copper alloy with gold plated over nickel plated.
3. Terminals: Silver plated with outer layer in gold plating.
4. Terminals: Copper alloy, with gold plated over nickel plated.
5. Outer Terminals: Copper alloy with pure tin plated.
6. Terminal Contact: Gold plated over nickel plated.
7. Terminal Contact: Palladium nickel alloy (or Silver) plated.