

NEW !
IP 67 Protection

SPECIFICATIONS:

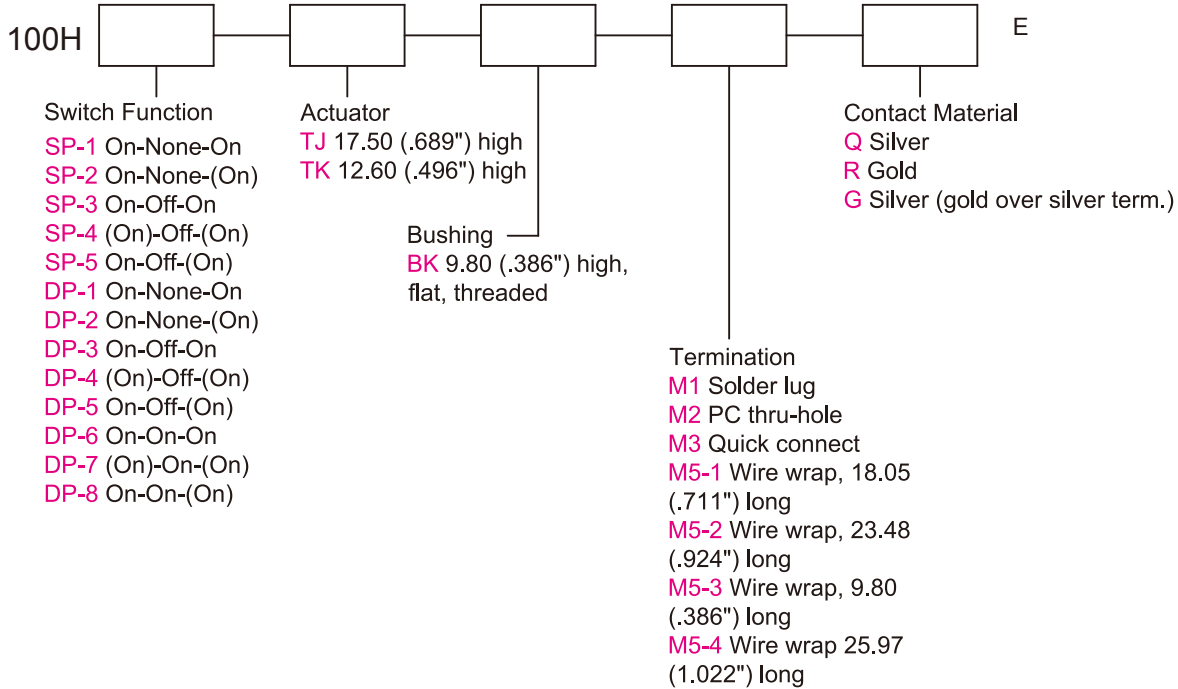
CONTACT RATING: Refer to "Contact Material Options" for more info.
 ELECTRICAL LIFE: Min. 50,000 make-and-break cycles at full load.
 CONTACT RESISTANCE: 10m-ohms max. initial @2-4VDC
 100mA for both silver and gold plated contacts.
 INSULATION RESISTANCE: 1,000M-ohms min.
 DIELECTRIC STRENGTH: 1,500VAC for 1 minute.
 OPERATING TEMPERATURE: -30°C to +85°C

MATERIALS:

CASE: Diallyl phthalate(DAP)(UL 94V-0).
 TOGGLE HANDLE: Brass, black finish with o-ring sealed.
 BUSHING: Brass, black finish with o-ring sealed
 EXTERNAL SHELL: FR52 (UL 94V-0).
 TERMINAL SEAL: Epoxy.

If your preferred product configuration is not shown, please contact our sales representative for custom design.

HOW TO ORDER SYSTEM



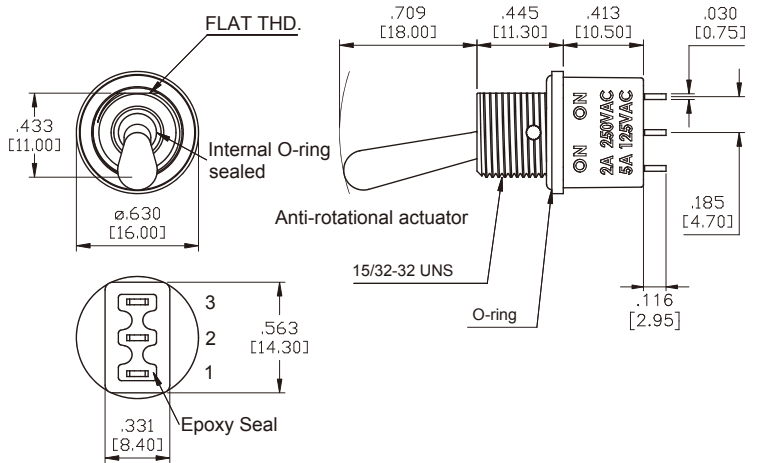
SPDT



Model No.	Switching Position		
SP-1	ON	NONE	ON
SP-2	ON	NONE	(ON)
SP-3	ON	OFF	ON
SP-4	(ON)	OFF	(ON)
SP-5	ON	OFF	(ON)
Term. Comm.	2-3	OPEN	2-1

Schematic

2Comm.



DPDT



Model No.	Switching Position		
DP-1	ON	NONE	ON
DP-2	ON	NONE	(ON)
DP-3	ON	OFF	ON
DP-4	(ON)	OFF	(ON)
DP-5	ON	OFF	(ON)
Term. Comm.	2-3,5-6	OPEN	2-1,5-4

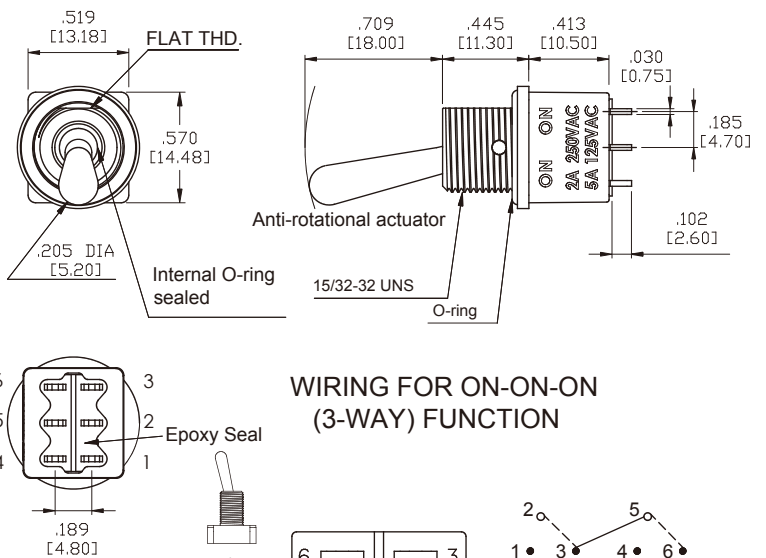
Model No.	Switching Position		
DP-6	ON	ON	ON
DP-7	(ON)	ON	(ON)
DP-8	ON	ON	(ON)
Term. Comm.	2-3,5-6	2-3,5-4	2-1,5-4

Schematic

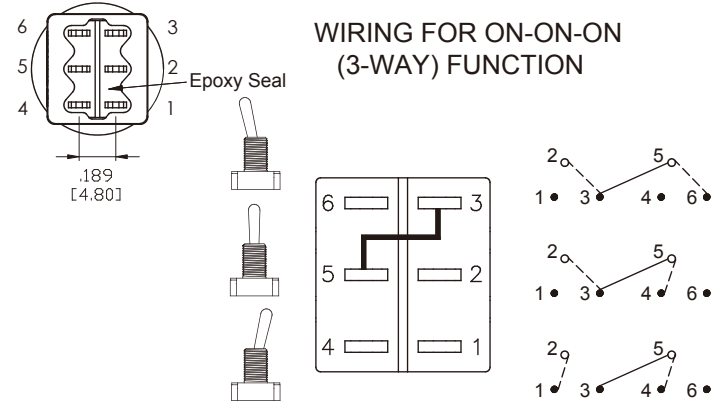
2Comm.



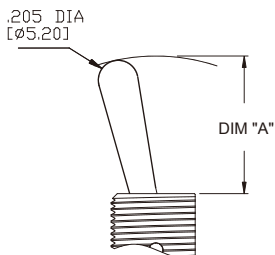
5Comm.



WIRING FOR ON-ON-ON (3-WAY) FUNCTION



ACTUATOR OPTIONS

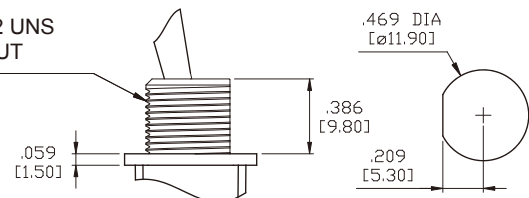


OPTION CODE	DIM. "A"
TJ	.709 [18.00]
TK	.512 [13.00]

BUSHING OPTION & MOUNTING

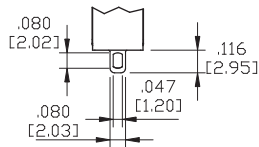
BK

15/32-32 UNS
FLAT-CUT



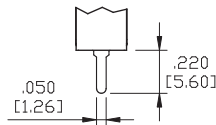
TERMINATION OPTIONS

M1 STD. SOLDER LUG



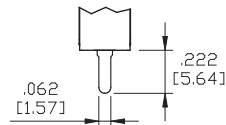
THK .030 [0.75]

M2 PC THRU-HOLE



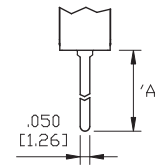
THK .030 [0.75]

M3 QUICK CONNECT



THK .030 [0.75]

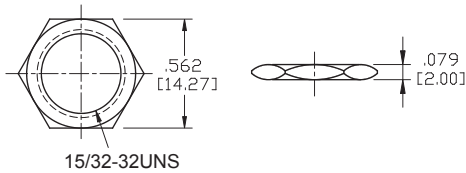
M5 WIRE WRAP



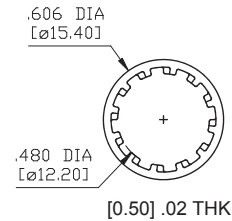
THK .030 [0.75]

OPTION CODE	DIM.'A'
M5-1	.711 [18.05]
M5-2	.924 [23.48]
M5-3	.386 [9.80]
M5-4	1.022 [25.97]

NUT



LOCK WASHER



CONTACT MATERIAL OPTIONS

Coding	Contact Material	Terminal Plating	Rating	Agency Approvals
Q	Silver ¹	Silver plated ¹	5Amps @ 125VAC or 28VDC 2Amps @ 250VAC	RI [®] IP67
P		Tin plated ⁵ 7		
R	Gold ²	Gold plated ⁴	0.4VA max @ 20V max (AC or DC)	IP67
K		Tin plated ⁵ 6		IP67
G	Silver ¹	Gold over silver ³	5Amps @ 125VAC or 28VDC 2Amps @ 250VAC	RI [®] IP67

1. Movable Contact / Terminals: Copper alloy, silver plated.
2. Movable Contact: Copper alloy with gold plated over nickel plated.
3. Terminals: Silver plated with outer layer in gold plating.
4. Terminals: Copper alloy, with gold plated over nickel plated.
5. Outer Terminals: Copper alloy with pure tin plated.
6. Terminal Contact: Gold plated over nickel plated.
7. Terminal Contact: Palladium nickel alloy (or Silver) plated.

* P, K not available with M1 and M3 terminals

* 6Amps (Movable Contact: coin silver, silver plated) available to model ON-NONE-ON without UL approval