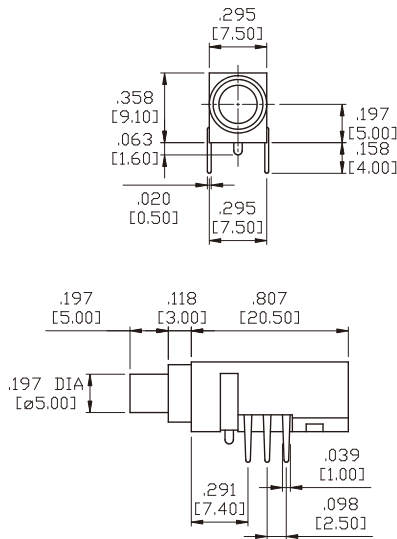


**SPECIFICATIONS:**

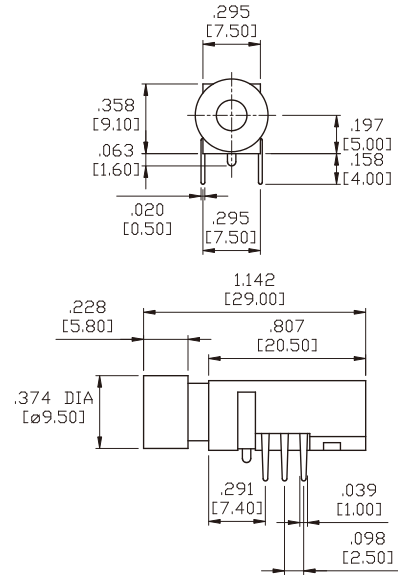
RATING: 50V DC 200mA max.  
 CONTACT RESISTANCE: <30m-ohms.  
 INSULATION RESISTANCE: >100M-ohms DC 500V.  
 OPERATING FORCE: 200±100gf.  
 AMBIENT TEMPERATURE: -20°C to +70°C.  
 ELECTRICAL LIFE: 100,000 cycles.

Specifications and Dimensions subject to change

**LS-A**



**LS-S**



**LED COLORS**

Code	LED Color
R	Red
G	Green
Y	Yellow
B	Blue

**KNOB COLORS**

Code	LED Color
B	Black

**HOW TO ORDER**

