

SPECIFICATIONS:

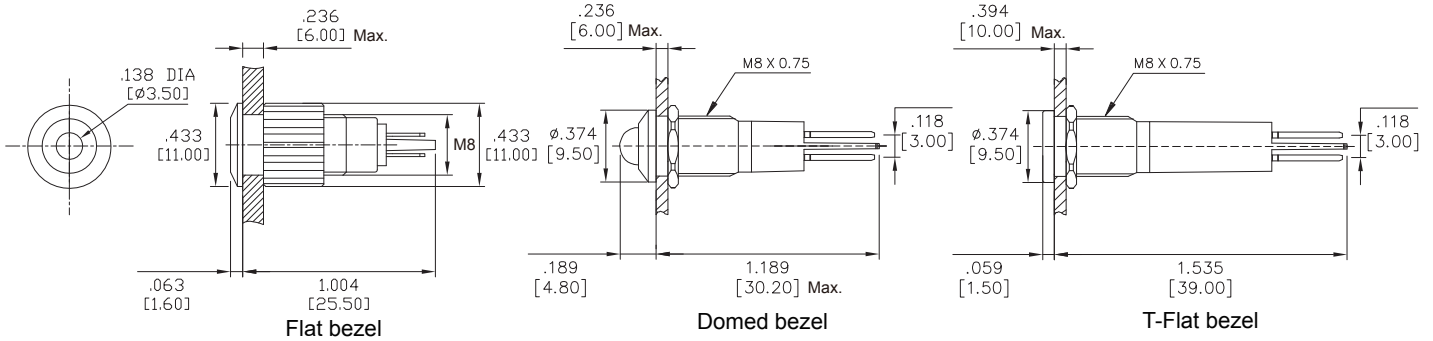
VOLTAGE RANGE: Max. 36V.
 RATED CURRENT: 15mA.
 DIELECTRIC STRENGTH: 1,100V RMS 50~60Hz.
 OPERATING TEMPERATURE: -20°C to +55°C
 IP CLASS: IP67 / IP68 front panel protection.
 TORQUE: 5~14Nm max. applied to nut.

MATERIALS:

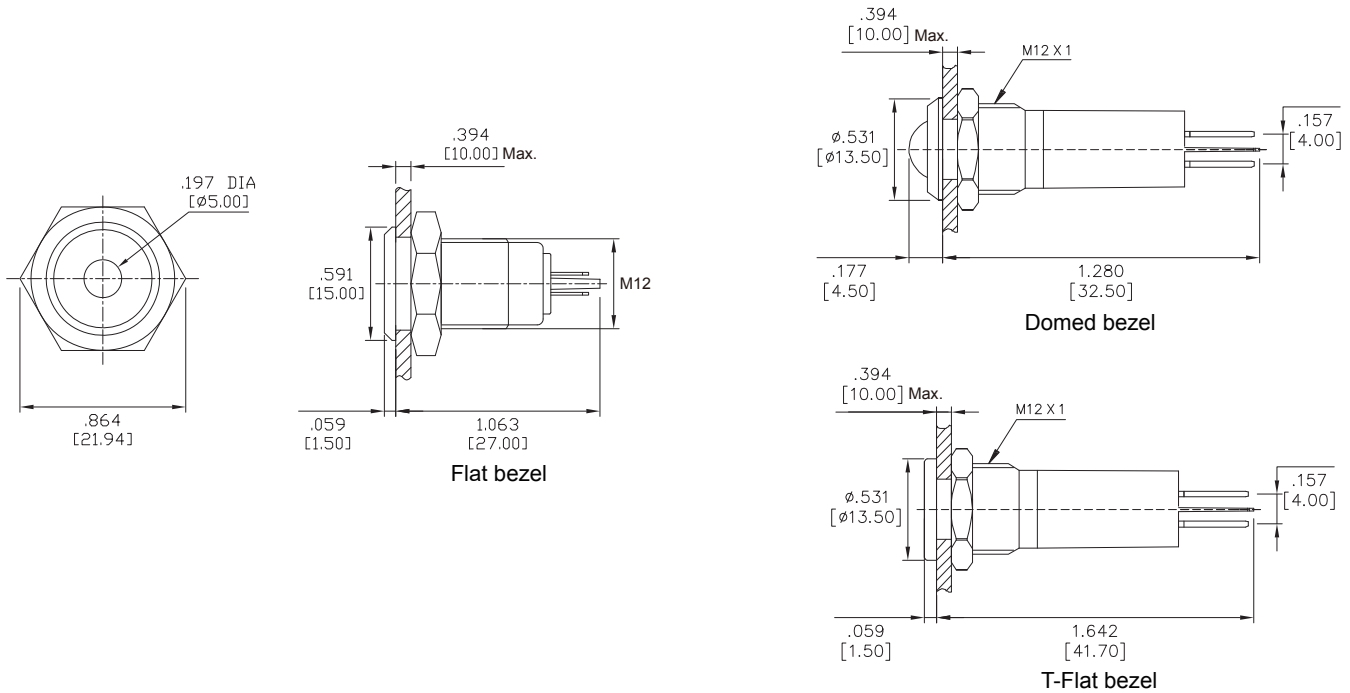
LED COVER: PC.
 BODY: Brass nickel plated, Stainless steel,
 Brass black nickel Plated
 BASE: PBT.
 ILLUMINANT: LED.

Specifications and Dimensions subject to change

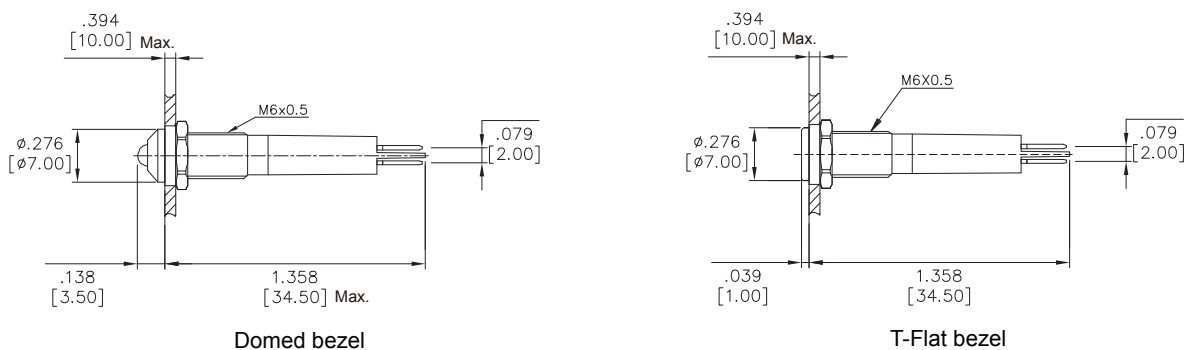
NI-04 Indicator



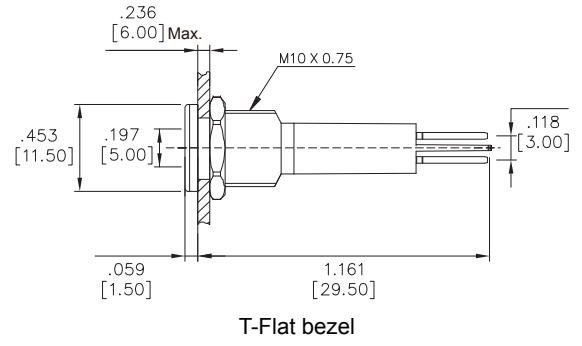
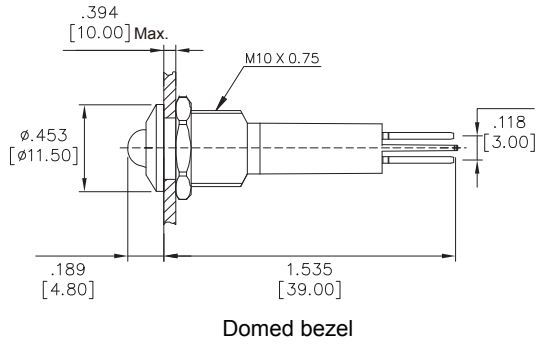
NI-05 Indicator



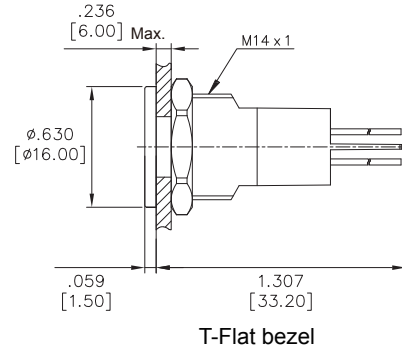
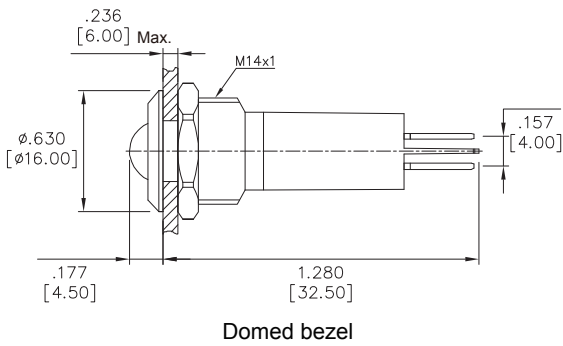
NI-06 Indicator



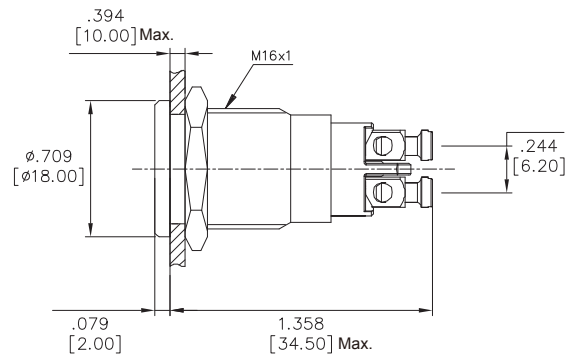
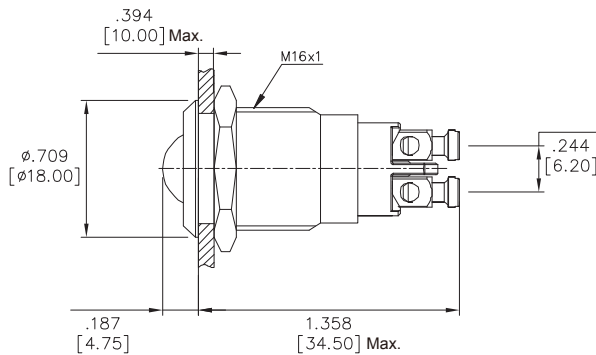
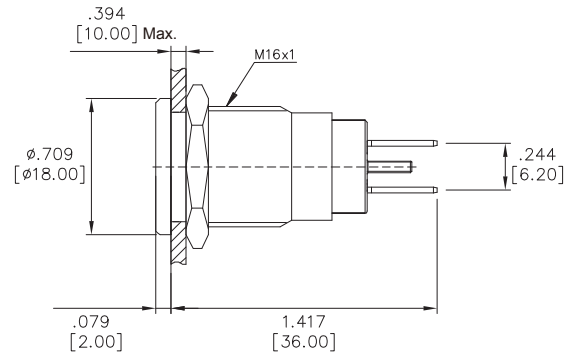
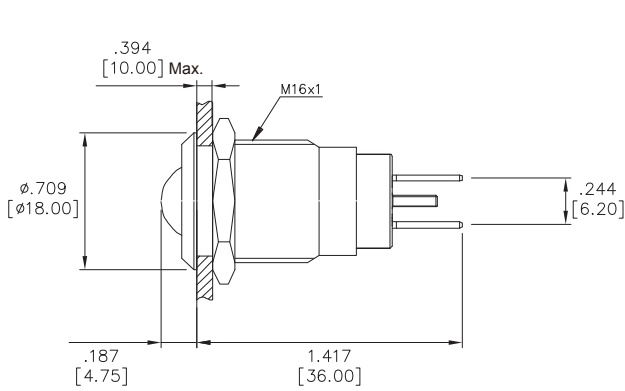
NI-10 Indicator



NI-14 Indicator



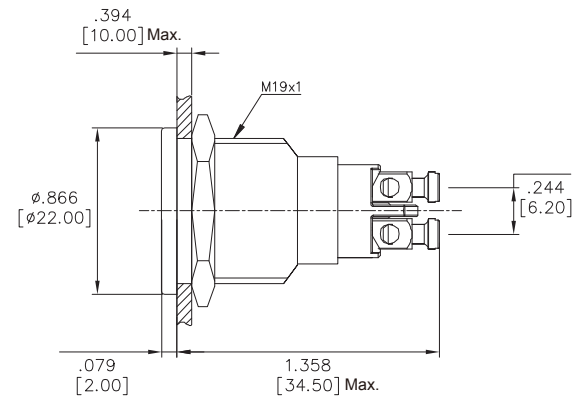
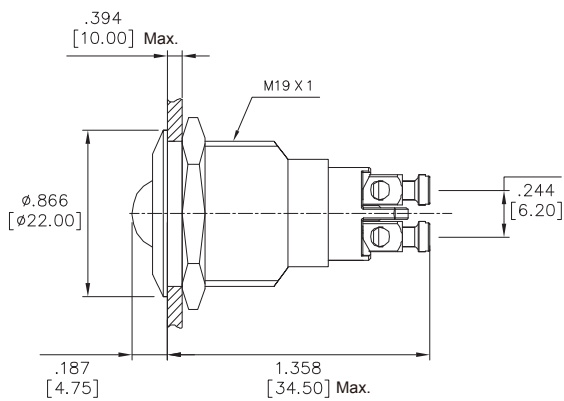
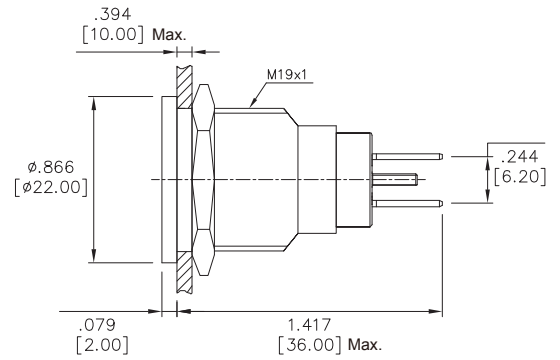
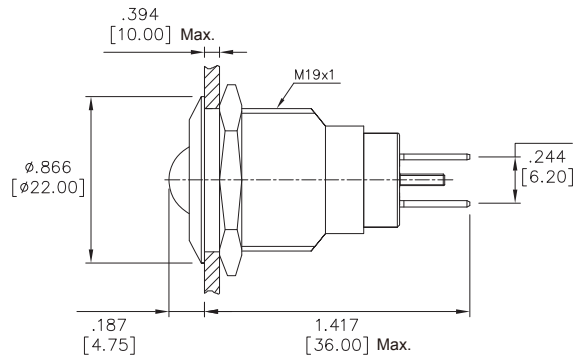
NI-16 Indicator



Domed bezel

T-Flat bezel

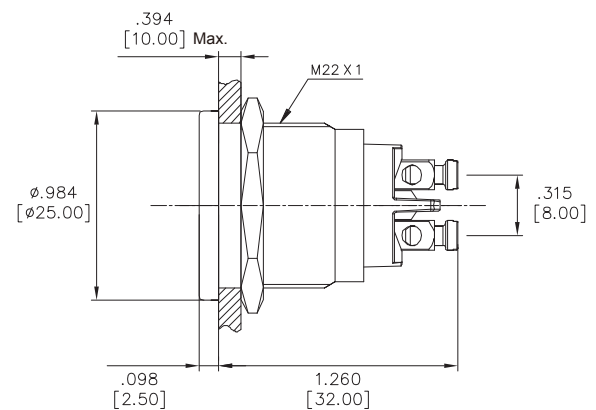
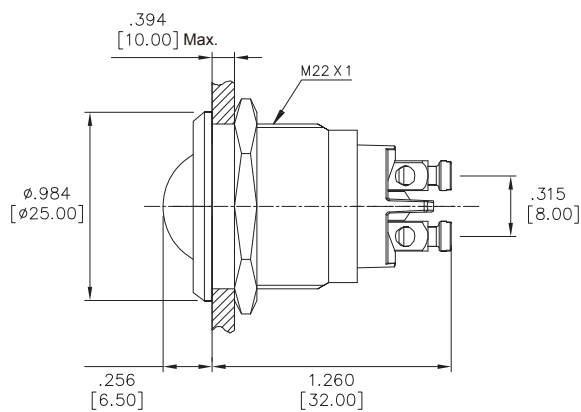
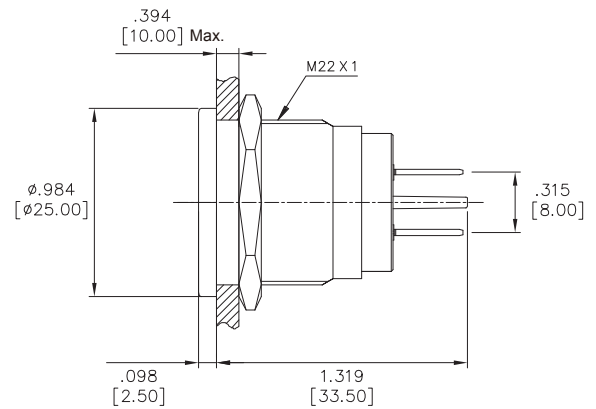
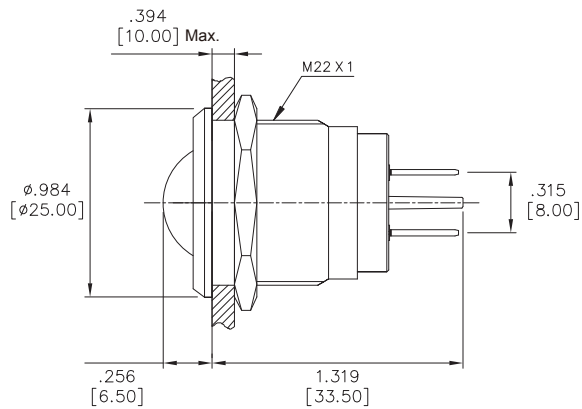
NI-19 Indicator



Domed bezel

T-Flat bezel

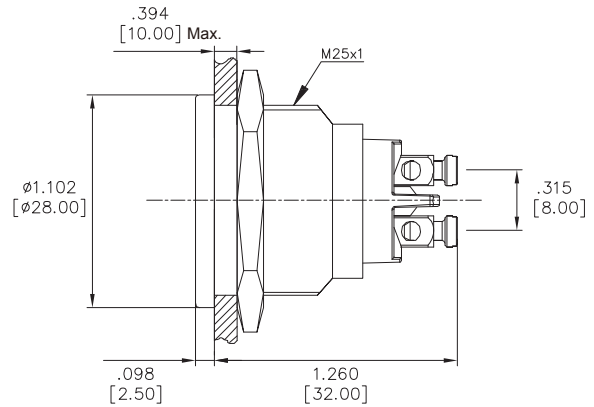
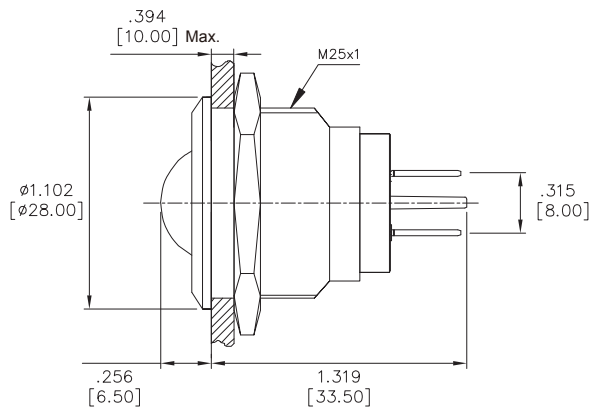
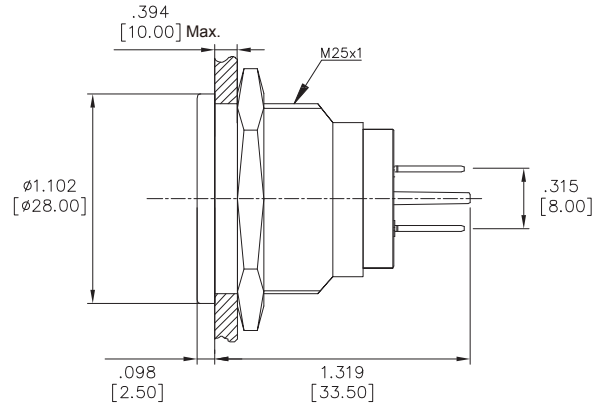
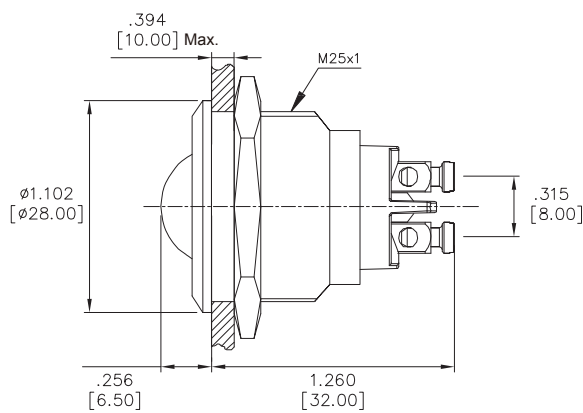
NI-22 Indicator



Domed bezel

T-Flat bezel

NI-25 Indicator



Domed bezel

T-Flat bezel

LED & VOLTAGE OPTIONS & BODY MATERIAL

LED Colors

Code	Color
R	Red
G	Green
Y	Yellow
O	Orange
B	Blue
W	White

Voltage

Code	Voltage
1	2V
2	6V
3	12V
4	24V
5	110V
6	220V
7	36V
8	2.8V

Body Material

Code	Body Material
N	Brass nickel plated
S	Stainless steel
K	Brass black nickel plated

HOW TO ORDER

